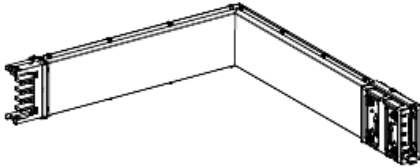




KSA250DLC4A has not been replaced. Please contact your customer care centre for more information.



ⓘ Discontinued

Main

Range of product	Canalis
Product name	KS
Offer type	Standard
Product or component type	Elbow
Busbar description	Standard on made to measure
Bar material	Aluminium
Device application	Change direction
[Ie] rated operational current	100 A at 35 °C
Direction change type	direction 1: edgewise to right - direction 1: edgewise to left -

Complementary

[Ue] rated operational voltage	230...690 V
Network frequency	50/60 Hz
Operating angle	90 °
Mounting location	On trunking
Mounting position	Any position
Electrical connection	Lubricated sliding contact
Mounting mode	By screws
Width	147 mm
Depth	46 mm
Height	200...695 mm
Net weight	4 kg

Environment

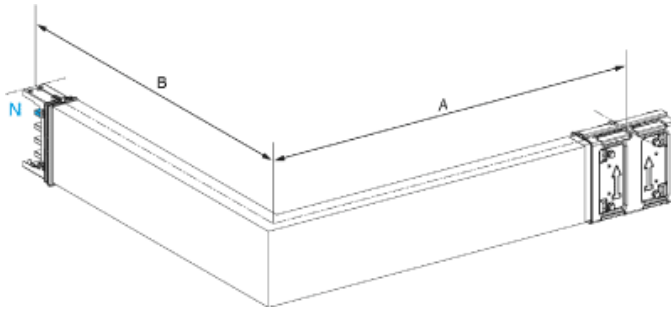
Standards	IEC 60439-2 IEC 61439-6
-----------	----------------------------

Offer Sustainability

Sustainable offer status	Green Premium product
EU RoHS Directive	Pro-active compliance (Product out of EU RoHS legal scope) EU RoHS Declaration
Environmental Disclosure	Product Environmental Profile

Contractual warranty

Warranty	18 months
----------	-----------



Dimensions		KSA250DLC4A
------------	--	-------------

A (mm)	200 to 695
B (mm)	200 to 695
C (mm)	-
D (mm)	-
Fire barrier	No
Fire barrier position	-