

KSA250DZCG4CF has not been replaced. Please contact your customer care centre for more information.

ⓘ Discontinued

Main

Range of product	Canalis
Product name	KS
Product or component type	Zed elbow
Busbar description	Standard
Device application	Change direction
[Ie] rated operational current	100 A at 35 °C 160 A at 35 °C 250 A at 35 °C
Direction change type	direction 1: edgewise to right - neutral to up direction 1: edgewise to left - neutral to up

Complementary

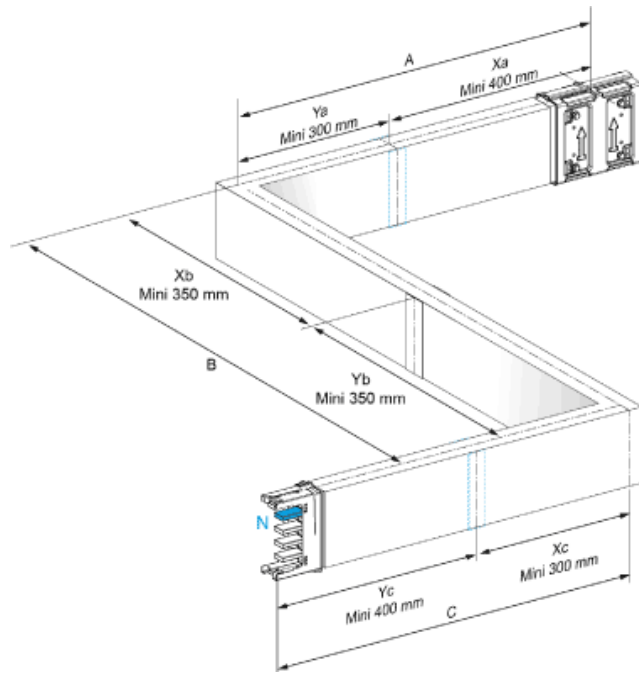
[Ue] rated operational voltage	230...690 V
Network frequency	50/60 Hz
Dimension type	Made to measure
Operating angle	90 °
Electrical connection	Lubricated sliding contact
Mounting mode	By screws
Standards	IEC 60439-2 IEC 61439-6
Width	147 mm
Depth	46 mm
Length	Side 1: 250...745 mm Side 3: 250...745 mm
Colour	White (RAL 9001)
Net weight	8.4 kg

Environment

IP degree of protection	IP55 conforming to IEC 60529
IK degree of protection	IK08 conforming to IEC 62262

Contractual warranty

Warranty	18 months
----------	-----------



Dimensions KSA250DZCG4CF

A (mm)	-
B (mm)	-
C (mm)	-
D (mm)	-
Fire barrier	Yes
Fire barrier position	Either on side A or B or C