

KSA400DLF4B has not been replaced. Please contact your customer care centre for more information.

ⓘ Discontinued

Main

Range of product	Canalis
Product name	KS
Product or component type	Elbow
Busbar description	Standard on made to measure
Bar material	Aluminium
Device application	Change direction
[Ie] rated operational current	400 A at 35 °C
Direction change type	direction 1: flat to downward -

Complementary

[Ue] rated operational voltage	230...690 V
Network frequency	50/60 Hz
Operating angle	90...180 °
Mounting location	On trunking
Mounting position	Any position
Electrical connection	Lubricated sliding contact
Mounting mode	By screws
Width	147 mm
Depth	46 mm
Height	250...745 mm
Net weight	6.8 kg

Environment

Standards	IEC 60439-2 IEC 61439-6
-----------	----------------------------

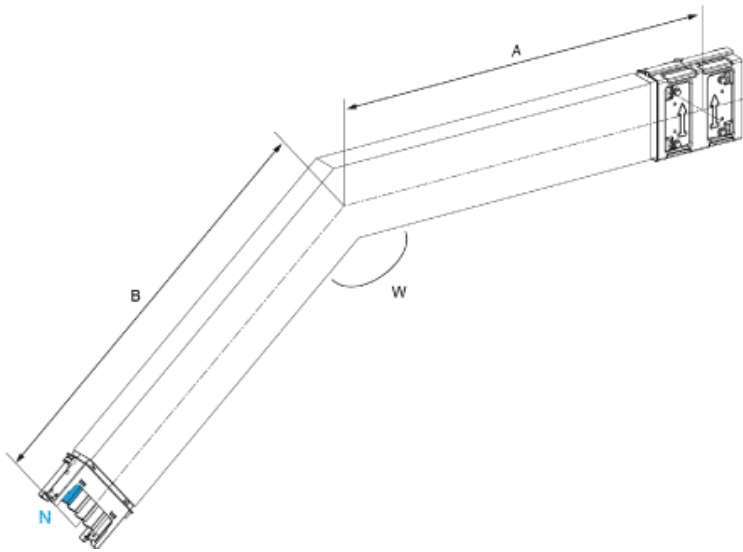
Offer Sustainability

Sustainable offer status	Green Premium product
REACH Regulation	REACH Declaration

REACH free of SVHC	Yes
EU RoHS Directive	Pro-active compliance (Product out of EU RoHS legal scope) EU RoHS Declaration
Toxic heavy metal free	Yes
Mercury free	Yes
RoHS exemption information	Yes
China RoHS Regulation	Download RoHS China Declaration Pro-active China RoHS declaration (out of China RoHS legal scope)
Environmental Disclosure	Product Environmental Profile
Circularity Profile	No need of specific recycling operations
WEEE	The product must be disposed on European Union markets following specific waste collection and never end up in rubbish bins

Contractual warranty

Warranty	18 months
----------	-----------



Dimensions

KSA400DLF4B

A (mm)	250 to 745
B (mm)	250 to 745
C (mm)	-
D (mm)	-
Fire barrier	No
Fire barrier position	-