

Main

Range of product	Canalis
Product name	KS
Product or component type	Zed elbow
Busbar description	Fire barrier
Device application	Change direction
[Ie] rated operational current	400 A at 35 °C
Direction change type	direction 1: edgewise to right - neutral to up direction 1: edgewise to left - neutral to up

Complementary

[Ue] rated operational voltage	230...690 V
Network frequency	50/60 Hz
Dimension type	Made to measure
Operating angle	90 °
Electrical connection	Lubricated sliding contact
Mounting mode	By screws
Standards	IEC 61439-6 IEC 60439-2
Width	147 mm
Depth	46 mm
Length	Side 1: 250...745 mm Side 3: 250...745 mm
Colour	White (RAL 9001)
Net weight	9.9 kg

Environment

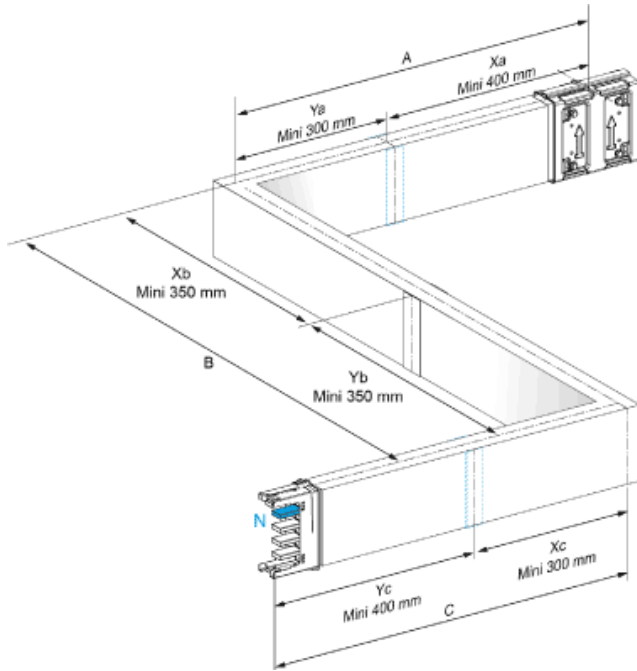
IP degree of protection	IP55 conforming to IEC 60529
IK degree of protection	IK08 conforming to IEC 62262

Offer Sustainability

Sustainable offer status	Green Premium product
REACH Regulation	REACH Declaration
REACH free of SVHC	Yes
EU RoHS Directive	Pro-active compliance (Product out of EU RoHS legal scope) EU RoHS Declaration
Toxic heavy metal free	Yes
Mercury free	Yes
RoHS exemption information	Yes
China RoHS Regulation	Download RoHS China Declaration Pro-active China RoHS declaration (out of China RoHS legal scope)
Environmental Disclosure	Product Environmental Profile
Circularity Profile	No need of specific recycling operations
WEEE	The product must be disposed on European Union markets following specific waste collection and never end up in rubbish bins

Contractual warranty

Warranty	18 months
----------	-----------



Dimensions KSA400DZCG4CF

A (mm)	-
B (mm)	-
C (mm)	-
D (mm)	-
Fire barrier	Yes
Fire barrier position	Either on side A or B or C