



Main

Range of product	Canalis
Product name	KS
Product or component type	Elbow
Busbar description	Standard on made to measure
Bar material	Aluminium
Device application	Change direction
[Ie] rated operational current	500 A at 35 °C
Direction change type	direction 1: edgewise to right - direction 1: edgewise to left -

Complementary

[Ue] rated operational voltage	230...690 V
Network frequency	50/60 Hz
Operating angle	90...180 °
Mounting location	On trunking
Mounting position	Any position
Electrical connection	Lubricated sliding contact
Mounting mode	By screws
Width	146 mm
Depth	111 mm
Height	290...785 mm
Net weight	12.2 kg

Environment

Standards	IEC 60439-2 IEC 61439-6
-----------	----------------------------

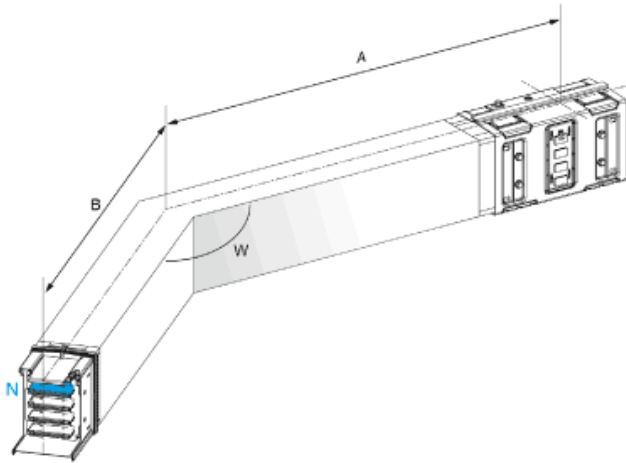
Disclaimer: This documentation is not intended as a substitute for and is not to be used for determining suitability or reliability of these products for specific user applications

Offer Sustainability

Sustainable offer status	Green Premium product
EU RoHS Directive	Pro-active compliance (Product out of EU RoHS legal scope) EU RoHS Declaration
Environmental Disclosure	Product Environmental Profile

Contractual warranty

Warranty	18 months
----------	-----------



Dimensions

KSA630DLC4B

A (mm)	290 to 785
B (mm)	290 to 785
C (mm)	-
D (mm)	-
Fire barrier	No
Fire barrier position	-